

# Installation Instructions

**Professional Style  
Bottom-Freezer Refrigerators**

**ZICP720**

Design Guide  
With Installation Instructions



# Safety Information

## BEFORE YOU BEGIN

Read these instructions completely and carefully.

- **IMPORTANT** – Save these instructions for local inspector’s use. Observe all governing codes and ordinances.
- **Note to Installer** – Be sure to leave these instructions with the Consumer.
- **Note to Consumer** – Keep these instructions with your Owner’s Manual for future reference.

## WARNING:

This appliance must be properly grounded. See “Grounding the Refrigerator,” page 6.

## AVERTISSEMENT :

Cet appareil doit être correctement mis à la terre. Consultez « Mise à la terre du réfrigérateur », page 6.  
If you received a damaged refrigerator, you should immediately contact your dealer or builder.

## CAUTION:

Due to the weight and size of these refrigerators, and to reduce the risk of personal injury or damage to the product—**THREE PEOPLE ARE REQUIRED FOR PROPER INSTALLATION.**

## PRUDENCE :

À cause du poids et de la taille de ces réfrigérateurs et pour réduire le risque de blessure et de dommages, **IL FAUT TROIS PERSONNES POUR FAIRE L'INSTALLATION CORRECTEMENT.**

**Skill Level** – Installation of these refrigerators requires basic mechanical, carpentry and plumbing skills. Proper installation is the responsibility of the installer. Product failure due to improper installation is not covered under the GE Appliance Warranty. See the Owner’s Manual for warranty information.

## WARNING:

- These refrigerators are top-heavy and must be secured to prevent the possibility of tipping forward. Anti-Tip protection is required. See pages 9 and 12 for details.
- Use this appliance only for its intended purpose.
- Immediately repair or replace electric service cords that become frayed or damaged.
- Unplug the refrigerator before cleaning or making repairs.
- Repairs should be made by a qualified service technician.

## AVERTISSEMENT :

- Ces réfrigérateurs sont lourds en haut et il faut les arrimer pour éviter leur basculement. Il faut avoir un système de protection contre le renversement. Voir les détails pages 9 et 12.
- Il ne faut utiliser cet appareil que pour l'utilisation appropriée.
- Réparez ou remplacez immédiatement tout cordon électrique effiloché ou endommagé.
- Il faut débrancher le réfrigérateur avant le nettoyage ou toute intervention.
- Les réparations doivent être faites par un technicien qualifié.

**For Monogram local service in your area, call 1.800.444.1845.**

**For Monogram service in Canada, call 1.800.561.3344**

**For Monogram Parts and Accessories, call 1.800.626.2002.**

[www.monogram.com](http://www.monogram.com)

## CONTENTS

### Planning Guide

|                                 |   |
|---------------------------------|---|
| The Installation Space .....    | 3 |
| Dimensions and Clearances ..... | 3 |
| 130° Door Swing .....           | 4 |
| 90° Door Swing .....            | 5 |

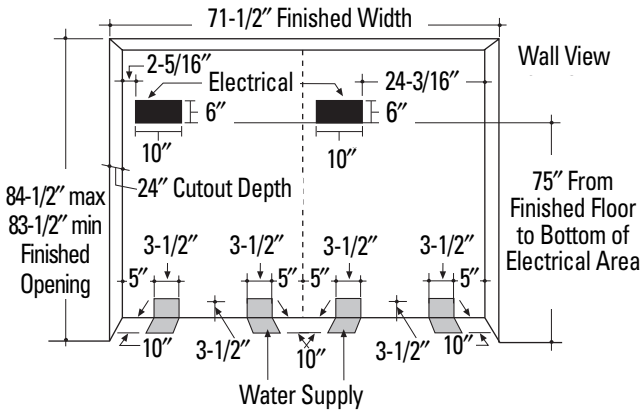
### Installation Instructions

|   |    |
|---|----|
| Tools, Hardware, Trim, Materials, Flooring .....        | 6  |
| Grounding the Refrigerator .....                        | 6  |
| Step 1, Remove Packaging .....                          | 7  |
| Step 2, Install Water Lines .....                       | 7  |
| Step 3, Install New Side Trim.....                      | 8  |
| Step 4, Install Side Panels.....                        | 8  |
| Step 5, Install Anti-Tip Brackets....                   | 9  |
| Step 6, Position Refrigerator and Install Top Trim..... | 10 |
| Step 7, Level the Refrigerators ..                      | 11 |
| Step 8, Alternate Anti-Tip Procedure.....               | 12 |
| Step 9, Secure Refrigerator to Cabinetry .....          | 12 |
| Step 10, Install Grille Panel .....                     | 12 |
| Step 11, Install Center Trim Strip .....                | 13 |
| Step 12, Adjust Door Swing.....                         | 13 |
| Step 13, Check and Correct Door Alignment .....         | 14 |
| Step 14, Install Grille Base Wrap....                   | 17 |
| Step 15, Connect Water Supply ..                        | 17 |
| Step 16, Connect Power .....                            | 18 |
| Step 17, Start Icemaker .....                           | 18 |
| Step 18, Install Toekick .....                          | 18 |

# Design Guide

## THE INSTALLATION SPACE

The installation space must be 71-1/2".



### Water And Electrical Locations

Electrical and water supply must be located as shown.

### The cutout depth must be 24"

The refrigerator will project forward, slightly beyond adjacent cabinetry, depending on your installation.

### Cutout depth beneath a soffit:

When installed beneath a soffit, the soffit cannot exceed the 24" installation depth shown. The top case trim overlaps the bottom of the soffit.

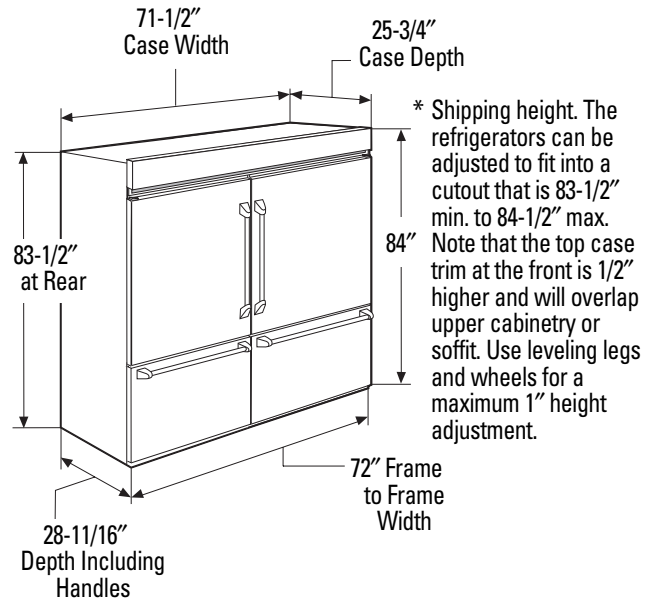
### Additional Specifications

- A separate 115 volt 60Hz., 15 or 20 amp power supply is recommended for each product. An individual properly grounded branch circuit or circuit breaker is recommended. Install properly grounded 3-prong electrical receptacles recessed into the back wall. Electrical must be located on rear wall as shown.

**NOTE:** GFI (ground fault interrupter) is not recommended.

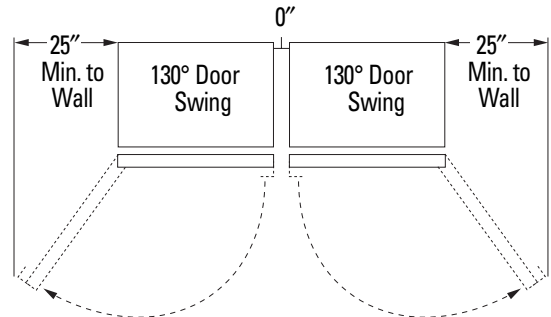
- Both water lines can enter the opening through the floor or back wall. Route GE SmartConnect™ kit or 1/4" O.D. copper tubing between the cold water line and the water connection location. The tubing should be long enough to extend to the front of the refrigerator. Installation of an easily accessible shut-off valve in the water line is required.

## DIMENSIONS AND CLEARANCES



### Product Clearances

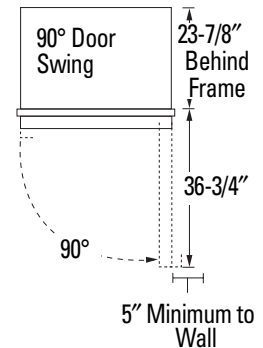
These refrigerators are equipped with a 2-position door stop. The factory set 130° door swing can be adjusted to 90° if clearance to adjacent cabinets or walls is restricted.



Allow 25" minimum clearance for a full 130° door swing. Allow 15" for pan removal.

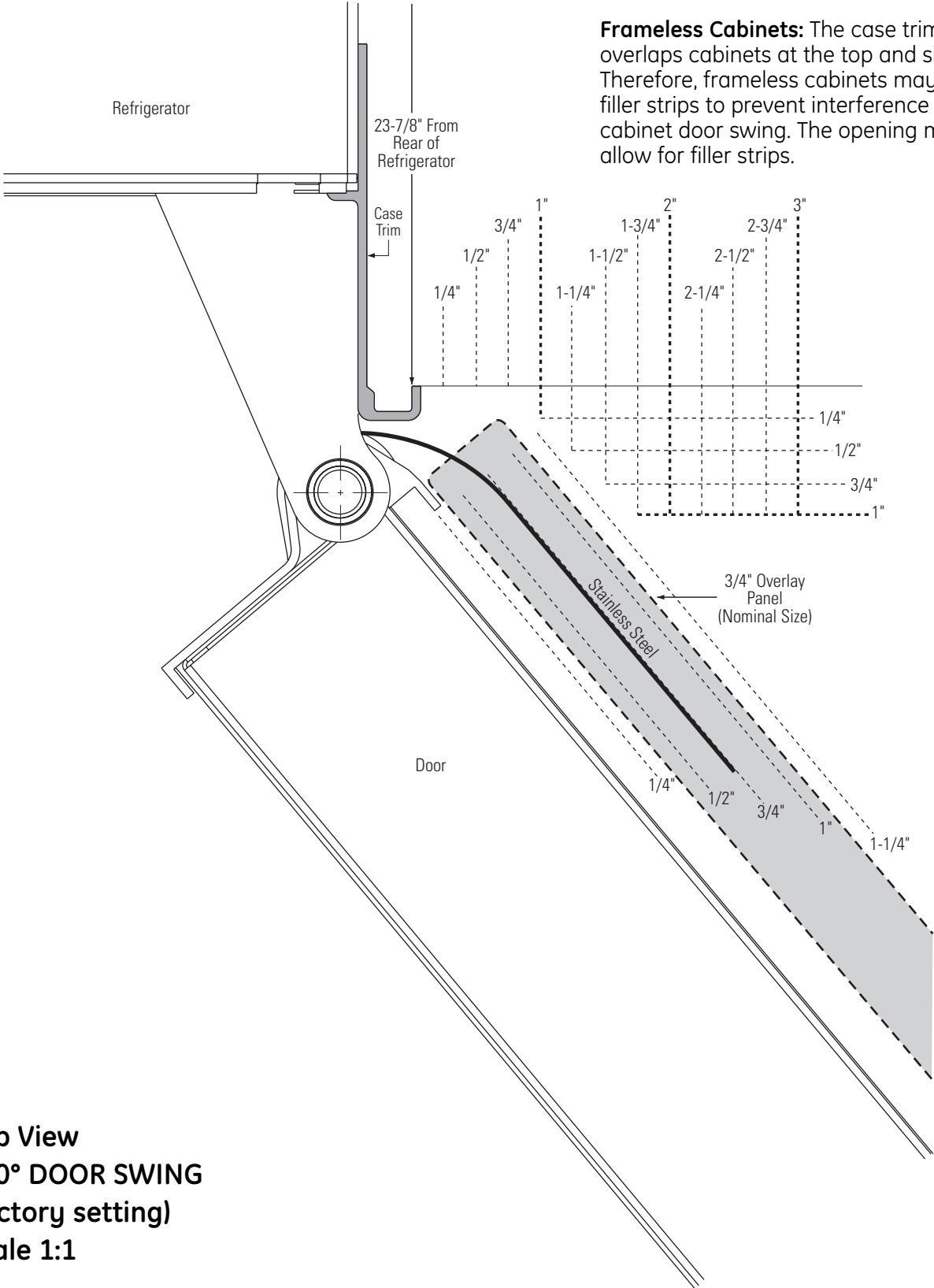
5" minimum clearance is required when door swing is adjusted to 90°. If the 90° door stop position is used, pan access is maintained, but pan removal is restricted.

See illustrations on pages 4 and 5 to determine door swing interaction with adjacent cabinets or countertops.



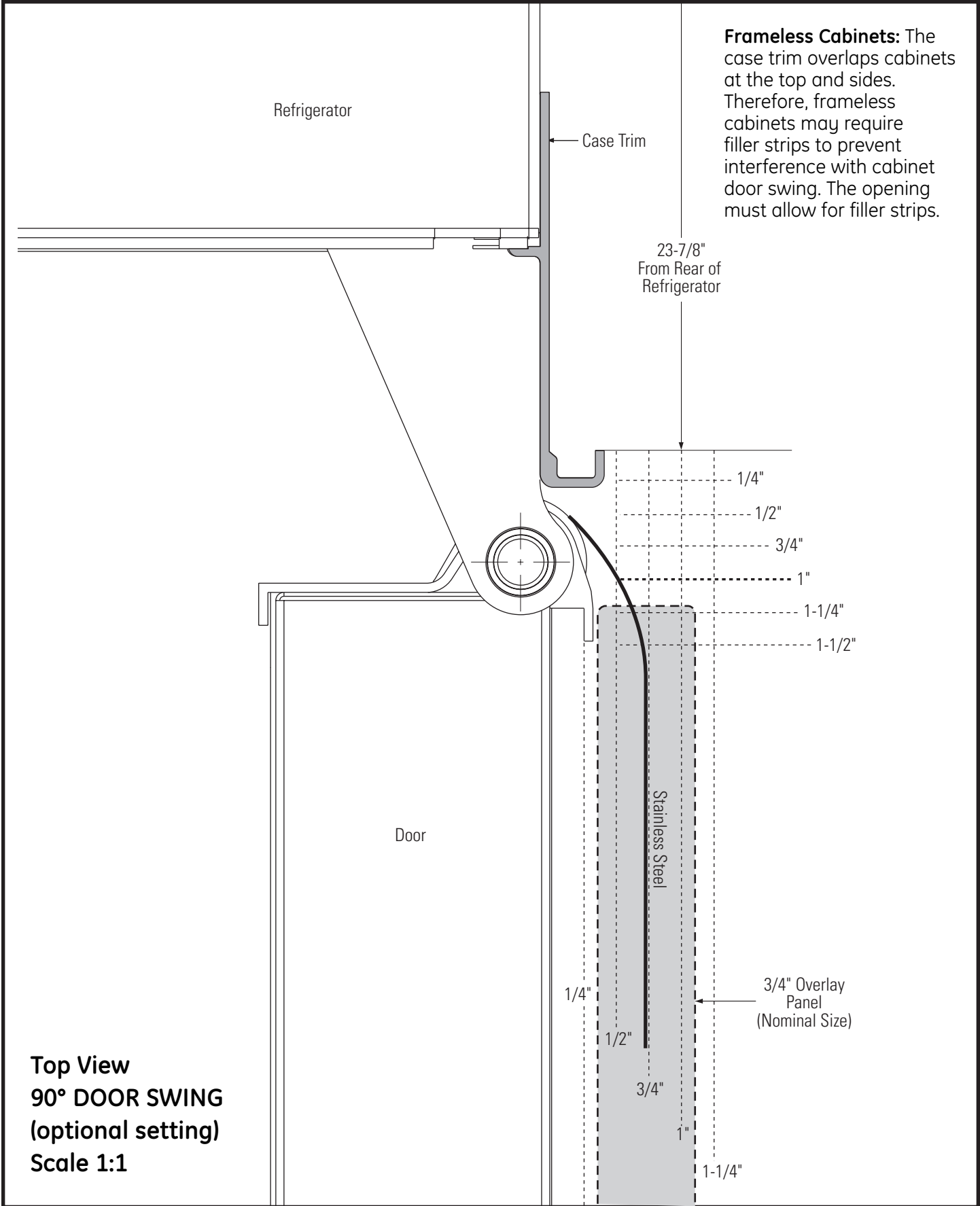
# Design Guide

**Frameless Cabinets:** The case trim overlaps cabinets at the top and sides. Therefore, frameless cabinets may require filler strips to prevent interference with cabinet door swing. The opening must allow for filler strips.



Top View  
 130° DOOR SWING  
 (factory setting)  
 Scale 1:1

# Design Guide



**Top View  
90° DOOR SWING  
(optional setting)  
Scale 1:1**

# Installation Instructions

## TOOLS REQUIRED

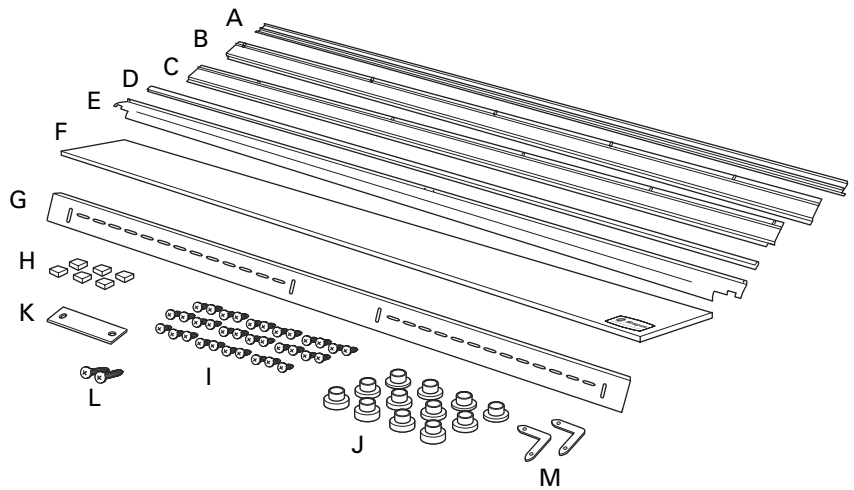
- Tinsnips to cut banding
- Stepladder
- Bucket
- Level
- Appliance dolly
- Tubing cutter
- 7/16" open-end wrench
- #2 Phillips screwdriver
- Drill and appropriate bits
- 5/16", 7/16" socket
- Safety glasses
- 1-1/4" and 1/2" open-ended wrench
- Pliers
- 1/4" ratchet or 1/4" angled wrench
- Tape measure

## HARDWARE SUPPLIED

- Water filter bypass plug
- Anti-Tip brackets
- 1/4" nut and ferrule

## TRIM SUPPLIED

- A. Top trim
- B. Left inside case trim
- C. Right inside case trim
- D. Center U-shape trim
- E. Grille base wrap
- F. Grille panel
- G. Toekick
- H. Foam spacer pads
- I. Phillips screws (34)
- J. Package of 12 plastic spacers
- K. Flat metal bracket
- L. 2 Large screws (for metal bracket)
- M. 2 Corner trim brackets



## MATERIALS REQUIRED

- 71" long 2x4 for Anti-Tip support
- 1/4" copper water line tubing or two GE SmartConnect™ Refrigerator Tubing kits
- Two water shut-off valves
- Screws to secure refrigerator to cabinetry
- Stick-on hook and loop fastener strips for 1/4" side panels

## FLOORING

For proper installation, this refrigerator must be placed on a level surface of hard material that is at the same height as the rest of the flooring. This surface should be strong enough to support a fully loaded refrigerator, or approximately 2,400 lbs.

**NOTE:** Protect the finish of the flooring. Cut a large section of the cardboard carton and place under the refrigerator where you are working.

## GROUNDING THE REFRIGERATOR

### IMPORTANT—(Please read carefully)

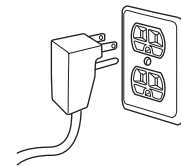
FOR PERSONAL SAFETY, THIS APPLIANCE MUST BE PROPERLY GROUNDED.

The power cord of this appliance is equipped with a 3-prong (grounding) plug which mates with a standard three-prong (grounding) wall receptacle to minimize the possibility of electric shock hazard from this appliance.

Have the wall outlet and circuit checked by a qualified electrician to make sure the outlet is properly grounded.

Where a standard 2-prong wall outlet is encountered, it is your personal responsibility and obligation to have it replaced with a properly grounded 3-prong wall outlet.

DO NOT, UNDER ANY CIRCUMSTANCES, CUT OR REMOVE THE THIRD (GROUND) PRONG FROM THE POWER CORD.



DO NOT USE AN ADAPTER PLUG TO CONNECT THE REFRIGERATOR TO A 2-PRONG OUTLET.

DO NOT USE AN EXTENSION CORD WITH THIS APPLIANCE.

# Installation Instructions

## 1 REMOVE PACKAGING

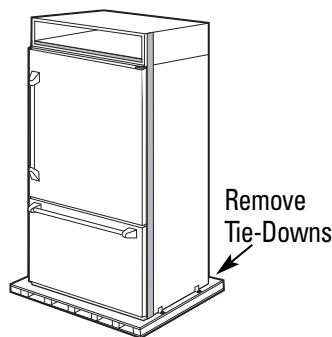
**CAUTION:** Refrigerator is much heavier at the top than at the bottom—be careful when moving. When using a hand truck, handle from side only.

**PRUDENCE :** Le réfrigérateur est beaucoup plus lourd en haut qu'en bas. Il faut être prudent lors des déplacements. Si un diable est utilisé, il faut soulever le réfrigérateur sur le côté seulement.

- Carefully cut banding at the top and bottom, remove outer carton.
- Slide out back corner posts (2).
- Slide carton off top of cabinet.

**NOTE:** IT IS NOT NECESSARY TO LAY CABINET DOWN IN ORDER TO REMOVE SKID!

- The unit is secured to the skid with 4 slotted tie-down straps. Remove the four 5/16" bolts from the base channels in the tie-downs.



- Remove the four 7/16" bolts securing the straps to the skid.

**CAUTION:** DO NOT ATTEMPT TO ROLL UNIT OFF SKID.

**PRUDENCE :** IL NE FAUT PAS ESSAYER DE FAIRE ROULER LE RÉFRIGÉRATEUR POUR L'ENLEVER DE LA PALETTE.

- Support blocks on the bottom of the refrigeration case must be removed before the refrigerator is taken off the skid or damage will occur. Carefully tilt refrigerator and slide blocks out from beneath.
- Remove the tape from the leveling legs.
- Lift the refrigerator off the skid with an appliance dolly. Handle from the sides.

## 2 INSTALL WATER LINES

- A cold water supply is required for automatic icemaker operation. The water pressure must be between 40 and 120 p.s.i.
- Route 1/4" OD copper or GE SmartConnect™ plastic tubing between house cold water line and the water connection location.

- Tubing should be long enough to extend to the front of the refrigerator. Allow enough tubing to accommodate bend leading into the water line connection.

**NOTE:** The only GE approved plastic tubing is supplied in the GE SmartConnect™ Refrigerator Tubing kits. Do not use any other plastic water supply line because the line is under pressure at all times. Other types of plastic may crack or rupture with age and cause water damage to your home.

GE SmartConnect™ Refrigerator Tubing Kits are available in the following lengths:

2' (.6 m) WX08X10002

6' (1.8 m) WX08X10006

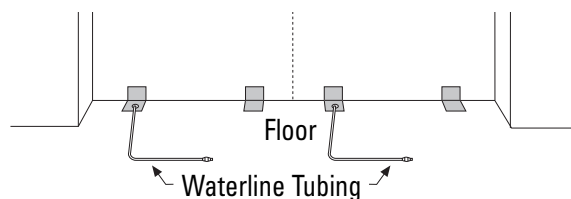
15' (4.6 m) WX08X10015

25' (7.6 m) WX08X10025

### Shut off the main water supply.

Turn on the nearest faucet long enough to clear the line of water.

- Install a shut-off valve between the icemaker water valve and cold water pipe in a basement or cabinet. The shut-off valve should be located where it will be easily accessible.

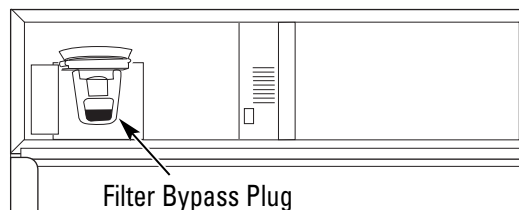


- Turn on the main water supply and flush debris. Run about a quart of water through the tubing into a bucket. Shut off water supply at the shut-off valve.

**NOTE:** Saddle type shut-off valves are included in many water supply kits. Before purchasing, make sure a saddle type valve complies with your local plumbing codes.

**NOTE:** Commonwealth of Massachusetts Plumbing Codes 248CMR shall be adhered to. Saddle valves are illegal and use is not permitted in Massachusetts. Consult with your licensed plumber.

**If the water supply to the refrigerator is from a Reverse Osmosis Water System, use the refrigerator's filter bypass plug. Using the refrigerator's water filtration cartridge with the RO filter can result in hollow ice cubes.**

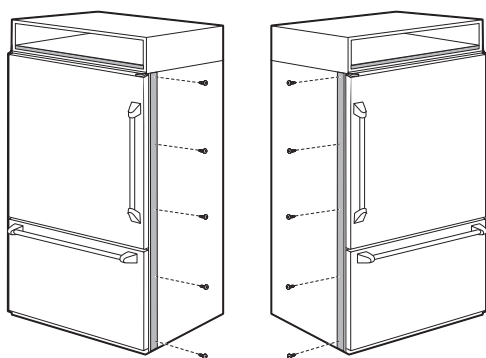


# Installation Instructions

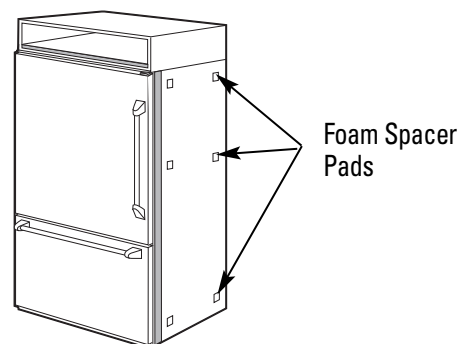
## 3 INSTALL NEW SIDE TRIM

**CAUTION:** Handle parts with care to avoid scratching.

**PRUDENCE :** Manipulez les pièces soigneusement pour éviter de les rayer.



**A.** Install inside case trims (B & C) with notches toward the bottom. Install screws (I) through 5 slots on each trim.



**B.** Apply the supplied foam spacer pads (H) to the mating side of one product as shown.

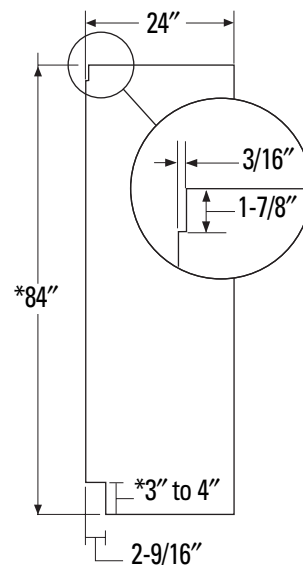
## 4 INSTALL SIDE PANELS

Side panels must be used whenever the sides of the refrigerator will be exposed. The 1/4" side panels will slip into the side case trim. Secure the panels to the refrigerator with stick-on hook and loop fastener strips. Order the side panels from the cabinet manufacturer.

- Cut a notch in the top front corner as shown to allow clearance for corner keys in the front side trim.

**Skip this step if you are not using side panels.**

\* Depending on installation height.





# Installation Instructions

## 5 INSTALL ANTI-TIP BRACKETS

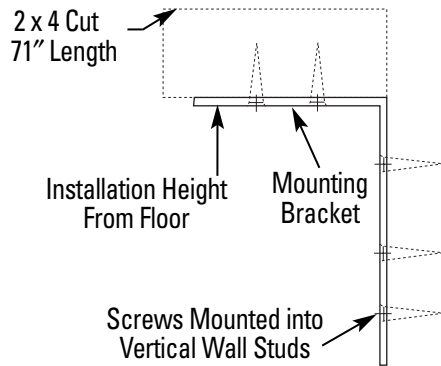
### WARNING: ANTI-TIP PRECAUTIONS

These refrigerators are top-heavy and must be secured to prevent the possibility of tipping forward.

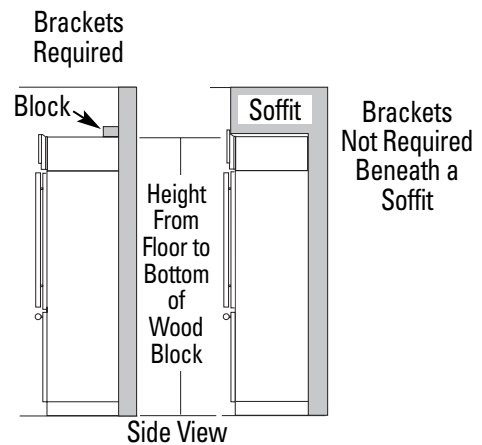
### ATTENTION : PRECAUTIONS CONTRE LES BASCULEMENTS

Ces réfrigérateurs sont beaucoup plus lourds en haut et il faut les maintenir en place pour éviter la possibilité de son basculement vers l'avant.

- Cut a 2" x 4" x 71" block and secure the block to the mounting brackets provided using #12 or #14 wood screws.



- Secure the bracket with wood block to the back wall so that it is 84" (or your installation height) from the finished floor. Use #12 or #14 wood screws. See illustration.
- Screws must penetrate at least one inch into vertical wall studs.

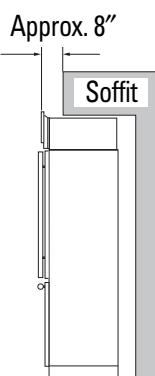


**IMPORTANT NOTE:** When the refrigerator is installed under a soffit or if there is not enough height for this method of security, brackets cannot be used. Step 8 is an alternate anti-tip procedure to secure refrigerator to cabinets after it has been pushed into the final position. The refrigerator must be secured to prevent tipping.

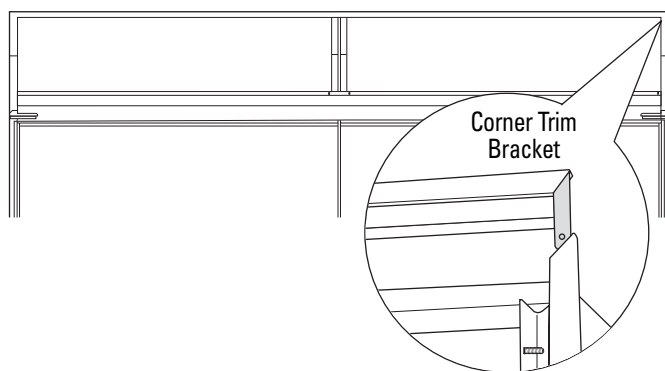
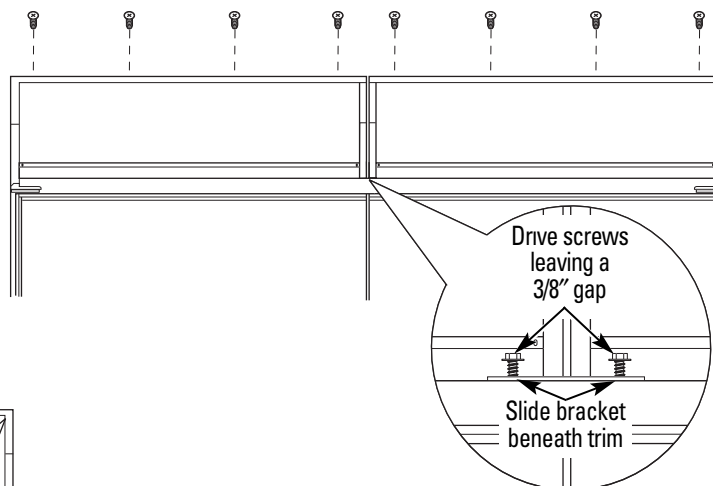
# Installation Instructions

## 6 POSITION REFRIGERATOR AND INSTALL TOP TRIM

- Before pushing the refrigerators into the opening, plug the power cords into the receptacles. Reach into the top opening to grasp the power cord. Pull the power cord into the opening as you push the refrigerator back.
- With hands against front corners, push one refrigerator part-way into the opening. The refrigerator should be approximately 8" forward of the back wall.
- Gently push the second refrigerator next to the other. The doors should be flush to each other and the inside trims together.
- Install corner bracket (M) into each side of the top trim (A).
- Place the top trim across the top of the refrigerators and slip the corner brackets into the outside case trims.



- Install 8 screws (I) through the top of the trim and into the top case.
- Check to be sure the inside trims are aligned top and bottom. There should be a slight gap between the case trims.
- Install the flat metal bracket (K) between the two machine compartments. Slip the bracket under the inside trim. Secure the bracket using the larger screws (L), one on each side. Leave a 3/8" gap between the screw head and the top surface of the bracket.



### PUSH REFRIGERATOR INTO OPENING

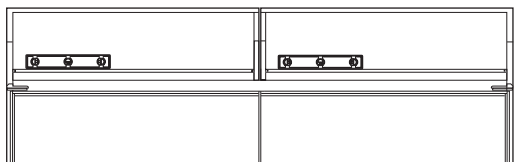
**NOTE:** 2 PEOPLE ARE REQUIRED TO PUSH THE UNIFIED REFRIGERATORS INTO THE OPENING.

- With hands against the front corners, gently push the unified refrigerators into the opening or against the back wall.

# Installation Instructions

## 7 LEVEL THE REFRIGERATORS

Place a level inside the machine for each unit.

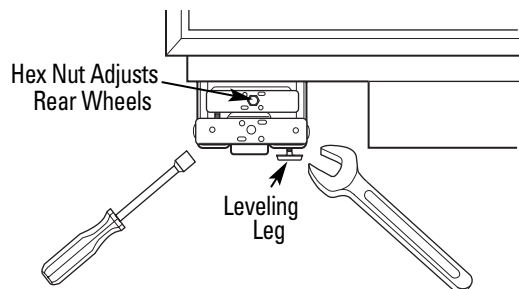


Both refrigerators **MUST BE LEVEL AND PLUMB** with each other and with adjacent cabinetry on each side.

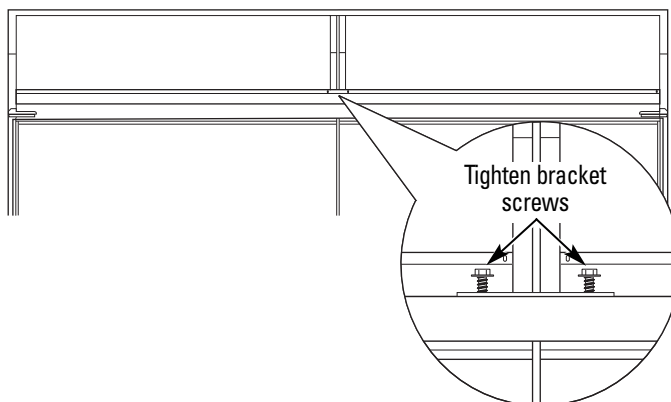
### Drawers should be evenly aligned.

Both refrigerators have 4-point leveling. The front is supported by leveling legs, the rear is supported by adjustable wheels. Both are accessible from the front of the refrigerator.

- To level the back of the refrigerator, turn the 7/16" hex nut located above the front wheels. Turn clockwise to raise or counterclockwise to lower the refrigerator.
- For front leveling, use a 1-1/4" open-end wrench.
- Adjust height of refrigerator to match installation cutout opening 83-1/2" to 84-1/2". The refrigerator should be level and plumb with cabinetry.



- When refrigerators are level, tighten screws against the bracket.



## CAUTION:

The rear leveling wheels and front leveling legs are limited to a maximum height adjustment of 1". If the installation requires more than 84-1/2" height, the installer should elevate the refrigerator on a sheet of plywood or runners. Cabinetry trim could also be added across the top of the opening to shorten the opening. **If you attempt to raise the refrigerator more than 1", you will damage the front leveling legs and the rear leveling wheels.**

## PRUDENCE :

Les roues de nivellement arrière et les pattes de nivellement avant permettent un réglage maximal de 25 mm (1 po). Si l'ouverture pour le réfrigérateur a une hauteur supérieure à 2,15 m (84-1/2 po), l'installateur doit élever le réfrigérateur sur une feuille de contre-plaqué ou des glissières. Il est également possible d'ajouter des baguettes de finition des placards sur le haut de l'ouverture afin de la réduire. **Lever le réfrigérateur de plus de 25 mm (1 po) endommage les pattes de nivellement avant et les roues de nivellement arrière.**

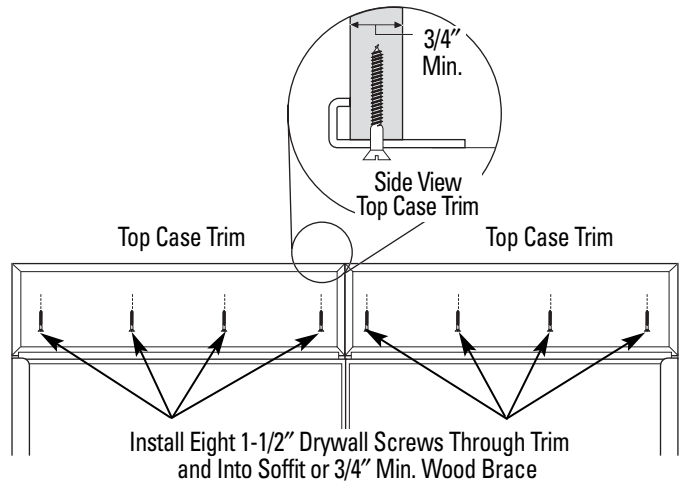
# Installation Instructions

## 8 ALTERNATE ANTI-TIP PROCEDURE

The refrigerator must be secured to prevent tipping.

The anti-tip brackets cannot be used on metal wall studs. Use this Alternate Procedure to secure the refrigerator against tip-over whenever metal wall studs are encountered and there is a soffit.

- Use a 3/16" bit to drill eight evenly spaced clearance holes through the metal top case trim.
- Use a 1/16" bit to drill pilot holes through the metal clearance holes and into the wood soffit. The holes should be centered in the soffit or a 3/4" min. wood brace. The brace spanning the enclosure must be securely fastened to cabinets on both sides.
- Install eight (4 on each refrigerator) 1-1/2" drywall screws into the pilot holes.

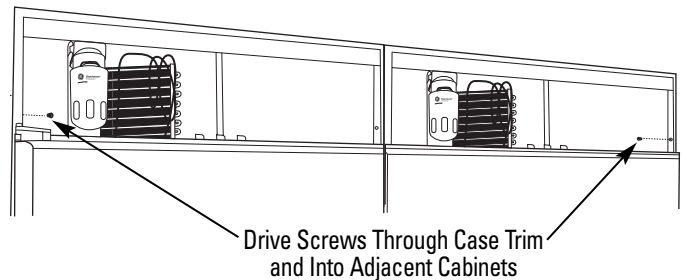


## 9 SECURE REFRIGERATOR TO CABINETRY

Whenever possible, perform this step for anti-tip security, or when anti-tip brackets cannot be used.

The refrigerator must be secured to prevent tipping.

- Drill hole in trim and drive screw through the trim into adjacent cabinet.
- Follow the same procedure on the opposite side.

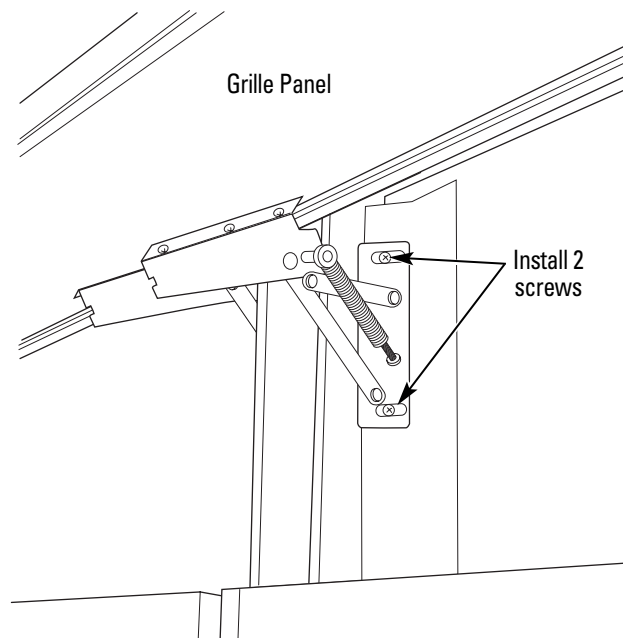


## 10 INSTALL GRILLE PANEL

TWO PEOPLE ARE REQUIRED TO INSTALL THE GRILLE PANEL.

- Push all four hinges on the grille panel (F) to the open position.
- Hold the unified grille panel against the left side of the opening. Drive 2 screws through the hinge and into the support bracket. Install the right side hinge. Then install the center hinges.
- Grasp grille panel at the center and pull down to close. The panel should align evenly with the beveled side of the door.

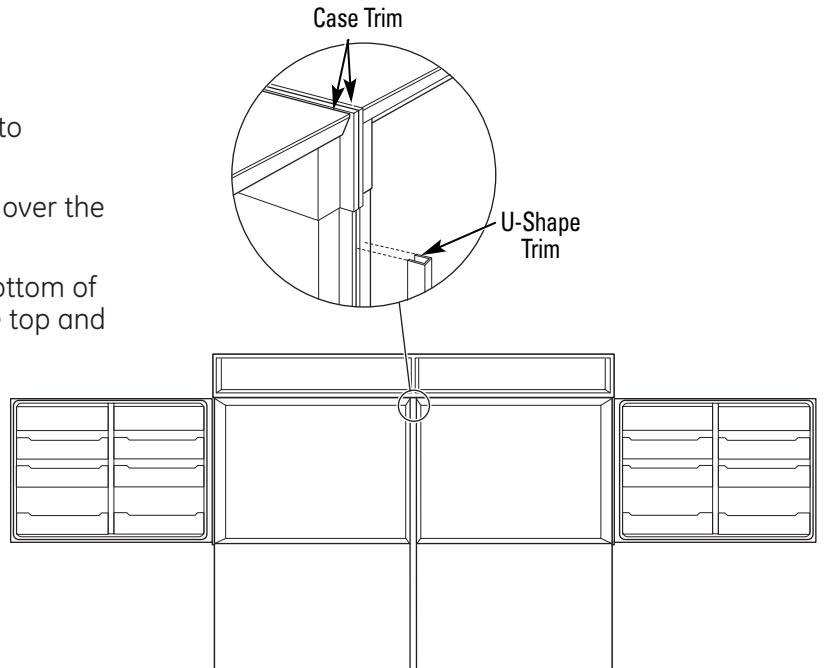
**NOTE:** To adjust the grille panel backward or forward, loosen the 2 attachment screws on all 4 hinges. Slide the grille panel outward or to the back. Tighten the screws.



# Installation Instructions

## 11 INSTALL CENTER TRIM STRIP

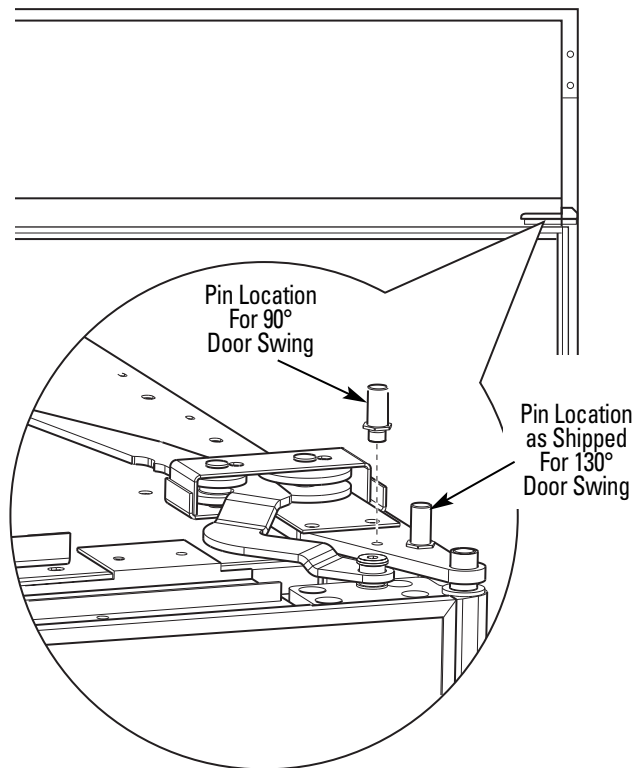
- Open doors fully.
- The case trims should be evenly aligned top to bottom with a slight gap between them.
- Starting at the top, press center trim strip (D) over the inside case trims of both refrigerators.
- Continue pressing trim until you reach the bottom of the case trims. The trim should align with the top and bottom of case trims.



## 12 ADJUST DOOR SWING

**NOTE:** This refrigerator has a 2-position door stop. When space does not allow the door to swing open fully to 130°, you may change the door swing to a 90° opening. **Skip this step if door opening is satisfactory for your installation situation.**

- Lift the grille panel to access the door stop.
- Use pliers to unscrew door stop and reinstall into the 90° position.



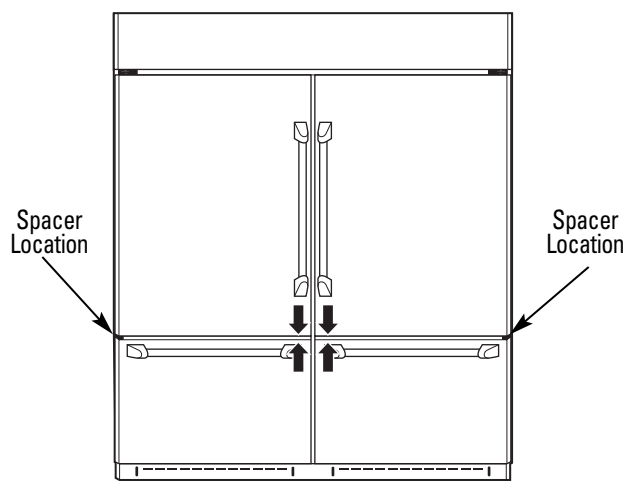
# Installation Instructions

## 13 CHECK AND CORRECT DOOR ALIGNMENT

- Close the grille panel and both doors.
- Check that the freezer drawers and bottom of doors are horizontal and even at the lower inside corners.
- Carefully measure the inside corners to determine if an adjustment is needed. A difference of  $1/32''$  is acceptable and does not require adjustment.

**SKIP THIS STEP IF DOORS ARE LEVEL.**

**IMPORTANT:** If the doors are not evenly aligned, they must be removed and spacers must be installed to raise or lower both doors.



# Installation Instructions

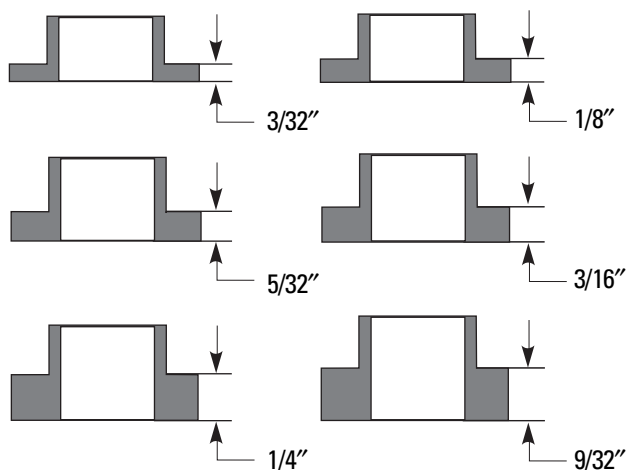
## 13 CHECK AND CORRECT DOOR ALIGNMENT (cont.)

**CAUTION:** Follow instructions very carefully.

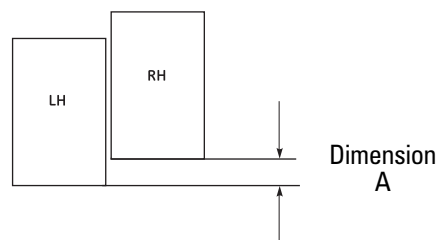
**PRUDENCE :** Suivez les instructions très soigneusement.

### DETERMINE CORRECT SPACER

This kit contains 12 plastic spacers (2 of each size). Match spacer to illustration below to be sure you have selected the correct size as determined in the charts below.



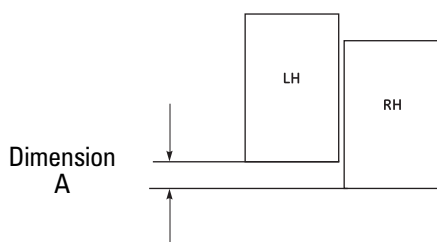
**RH Fresh Food door is higher than the LH door:**



Select the correct spacers to install on the Fresh Food hinges as determined by Dimension A.

| RH Door Dim. A | Install LH Spacer | Install RH Spacer |
|----------------|-------------------|-------------------|
| 1/32" to 1/16" | 1/4"              | 3/32"             |
| 1/16" to 3/32" | 1/4"              | 3/16"             |
| 3/32" to 1/8"  | 1/4"              | 5/32"             |
| 1/8" to 5/32"  | 1/4"              | 1/8"              |
| 5/32" to 3/16" | 9/32"             | 1/8"              |
| 3/16" to 7/32" | 9/32"             | 3/32"             |

**LH Fresh Food door is higher than the RH door:**



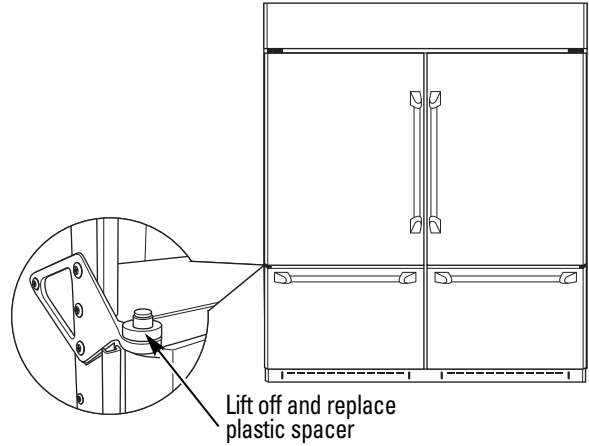
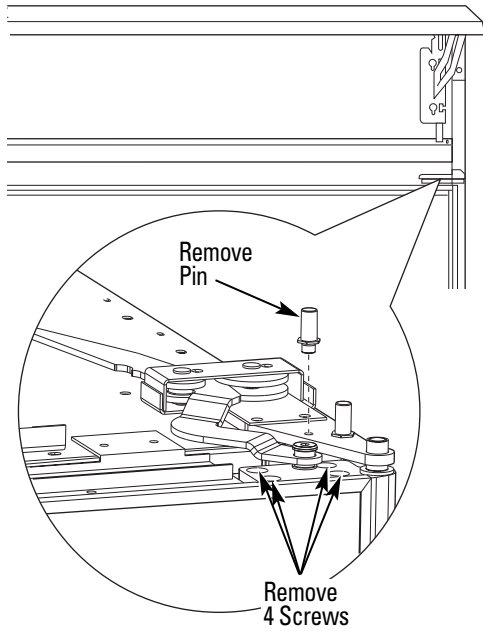
Select the correct spacers to install on the Fresh Food hinges as determined by Dimension A.

| LH Door Dim. A | Install LH Spacer | Install RH Spacer |
|----------------|-------------------|-------------------|
| 1/32" to 1/16" | 3/32"             | 1/4"              |
| 1/16" to 3/32" | 3/16"             | 1/4"              |
| 3/32" to 1/8"  | 5/32"             | 1/4"              |
| 1/8" to 5/32"  | 1/8"              | 1/4"              |
| 5/32" to 3/16" | 1/8"              | 9/32"             |
| 3/16" to 7/32" | 1/4"              | 9/32"             |

**NOTE:** If this plastic spacer package is misplaced, order WR49X10162 for a replacement kit.

# Installation Instructions

## 13 CHECK AND CORRECT DOOR ALIGNMENT (cont.)



1. Open the grille panel.
2. Remove 4 screws on the hinge plate.
3. Use pliers to remove door stop pin.

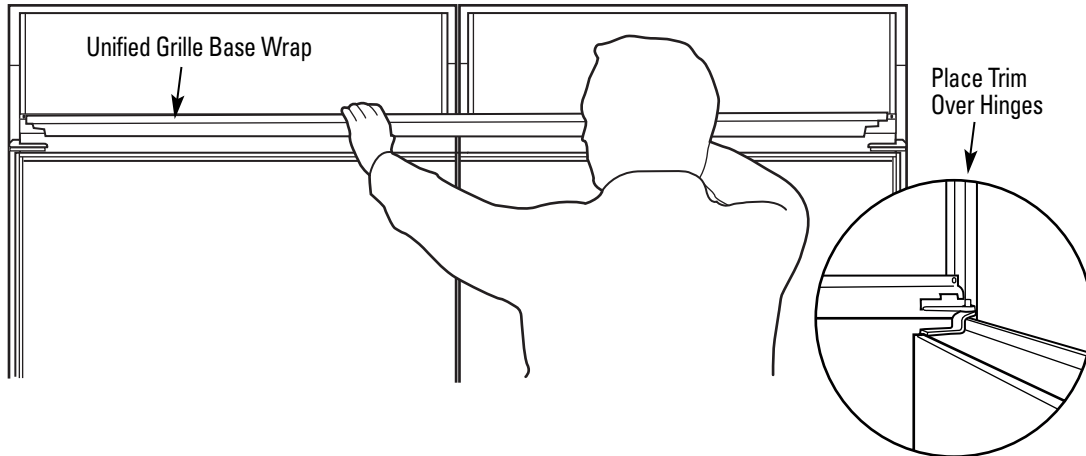
4. Lift door off bottom hinge pin. The door must be held in place while spacers are being exchanged.
5. Remove the original plastic spacer.
6. Place the selected spacer over the hinge.
7. Reverse all steps to replace the door.



# Installation Instructions

## 14 INSTALL GRILLE BASE WRAP

- Open doors fully. Open the grille panel.
- Install the unified double width grille base wrap (E) by slipping the notched ends over the door hinges.
- Install one screw (I) on each end and 2 at the center.



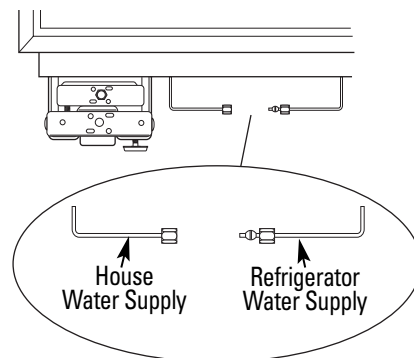
## 15 CONNECT WATER SUPPLY

Connect both refrigerators to the water supply.

- Locate and bring tubing to the front of the cabinet.
- Turn the water on to flush debris from line. Run about a quart of water through tubing into a bucket, then shut off water.

### Copper Tubing:

- Slip a 1/4" nut and ferrule (provided) over both ends of the copper tubing. Insert tube into the union fitting on the unit and tighten nut to union.
- Turn on the water to check for leaks.



### GE SmartConnect™ Tubing:

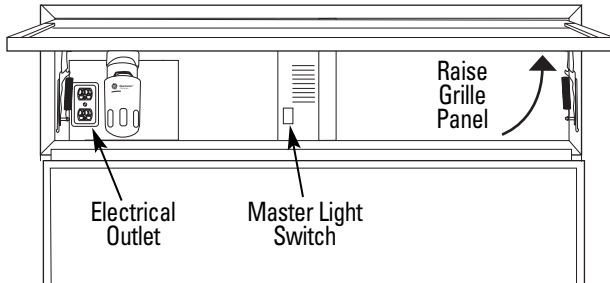
- Insert the molded end of the tubing into the refrigerator connection. Tighten the compression nut until it is just hand tight.
- Tighten one additional turn with a wrench. Overtightening can cause leaks!
- Turn on the water to check for leaks.

**NOTE:** Make sure excess tubing length does not interfere with drawer closing or toekick installation.

# Installation Instructions

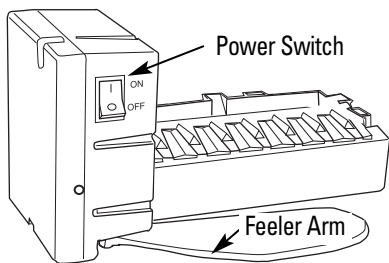
## 16 CONNECT POWER

- Check to be sure the power cord is plugged into the receptacle.



- Check to make sure power to refrigerator is on by opening refrigerator door to see if interior lights are on.
- The temperature controls are preset at 37°F for the fresh food section and 0°F for the freezer.
- Allow 24 hours for temperature to stabilize before making adjustments.

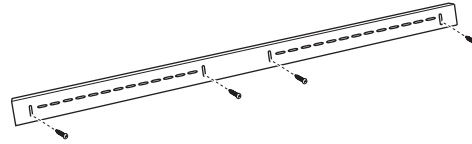
## 17 START ICEMAKER



- Flip the switch to **I (ON)**. The icemaker will begin operation automatically.
- Be sure nothing interferes with the sweep of the feeler arm.
- Discard the first full bucket of ice cubes.
- To turn the icemaker off, set the switch to **O (OFF)**.

## 18 INSTALL TOEKICK

- Install the toekick (G) with 4 screws (I) provided, one on each side and 2 in the center.



**IMPORTANT:** The toekick must be positioned with the vented slots on the top side. The vented toekick must remain unobstructed for proper air circulation and refrigerator operation.

# Notes

---

**NOTE:** While performing installations described in this book, safety glasses or goggles should be worn.

*If your Monogram appliance should ever require service, you can depend on Monogram Preferred Service. Simply call 1.800.444.1845 where our Monogram Preferred Service Specialists are available 7 a.m. to 10 p.m. ET Monday through Friday and 8 a.m. to 6 p.m. ET Saturday and Sunday to coordinate your service appointment.*

**NOTE:** Product improvement is a continuing endeavor at General Electric. Therefore, materials, appearance and specifications are subject to change without notice.

49-60469-2

224D1234P001

09-07 JR

Printed in the United States



**GE Consumer & Industrial**  
Appliances  
General Electric Company  
Louisville, KY 40225  
ge.com